

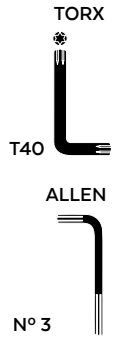
# HONDA CB1000R '18- / CB650R '19-



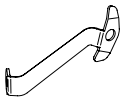
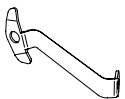


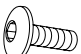


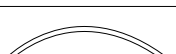


REF 9803

**ALUMINUM  
FRONT PLATE**

REF 9768

**ABS  
FRONT PLATE**



| ID. | PIEZA / PART  | DESCRIPCIÓN  | DESCRIPTION   | QTY. | REF.:           |
|-----|---|--|---|------|-----------------|
| 1   |  | Placa frontal ABS  | ABS front plate   | 1    | 10526J/C        |
|     |  | Placa frontal Al   | Al front plate  |      | 9807P/N         |
| 2   |  | Soporte izquierdo  | Left support  | 1    | SOPOR-2P-2-9768 |
| 3   |  | Soporte derecho  | Right support   | 1    | SOPOR-2P-2-9768 |
| 4   |  | Silentblock M5   | M5 silentblock  | 2    | SILENBTM5-046/1 |
| 5   |  | Arandela nylon M5x1  | M5x1 nylon washer   | 2    | ARNV0000000245  |
| 6   |  | Tornillo allen M5x16 Ø11 ISO 7380 (INOX)   | M5x16 Ø11 ISO 7380 allen screw (INOX)   | 2    | TORNI-IA----423 |
| 7   |  | Tapón Tornillo M5  | M5 screw cap  | 2    | TAPON-----85    |
| 8   |  | Separador de silicona Ø8 x2 (Se suministra montado con pieza 1/2)  | Ø8 x2 silicon spacers (Applied)   | 4    | ADHESI-GT-D8--- |
| 9   |  | Ribete autoadhesivo longitud de 190mm, 6,2mm x 2,6mm   | Selft-autoadhesive trim lenght 190mm, 6,2mm x 2,6mm   | 1    | RIBETETP---0900 |
| 10  |  | Tornillo allen M5x16 Ø11 ISO 7380  | M5x16 Ø11 ISO 7380 allen screw  | 2    | TORNI-I7380-493 |
| 11  |  | Kit adhesivos<br><a href="https://www.youtube.com/watch?v=IxEdLZ58qg">https://www.youtube.com/watch?v=IxEdLZ58qg</a> | Stickers set<br><a href="https://www.youtube.com/watch?v=IxEdLZ58qg">https://www.youtube.com/watch?v=IxEdLZ58qg</a> | 1    | 10535           |

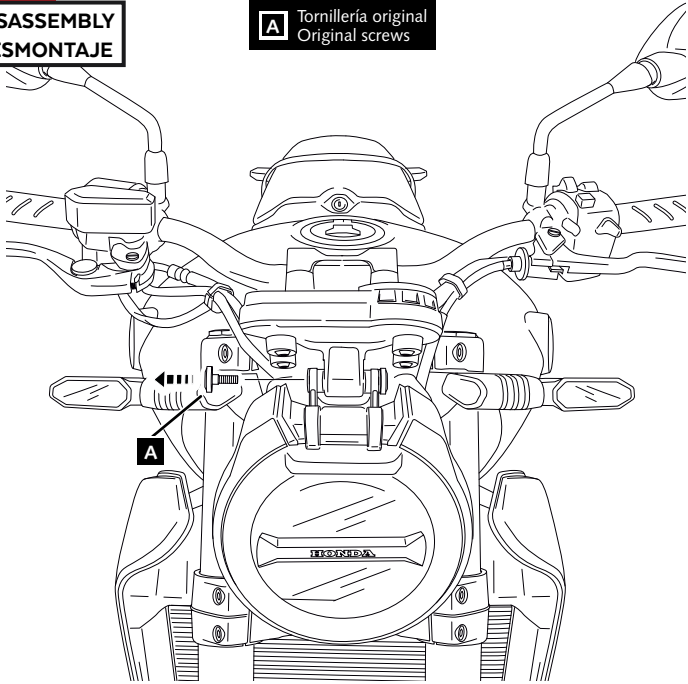
# HONDA CB1000R '18- / CB650R '19-

INSTRUCCIONES DE MONTAJE - MOUNTING INSTRUCTIONS - MONTAGEANLEITUNG

**1**

**DISASSEMBLY  
DESMONTAJE**

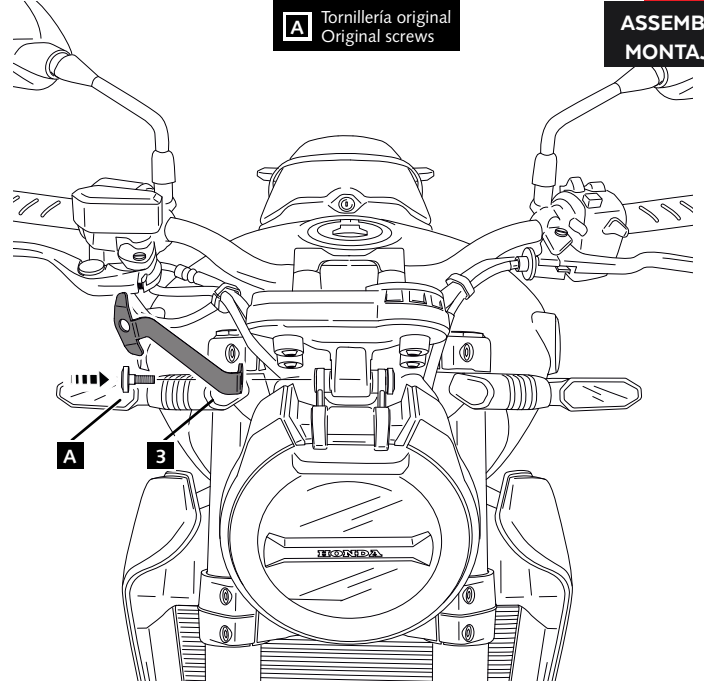
**A** Tornillería original  
Original screws



**2**

**ASSEMBLY  
MONTAJE**

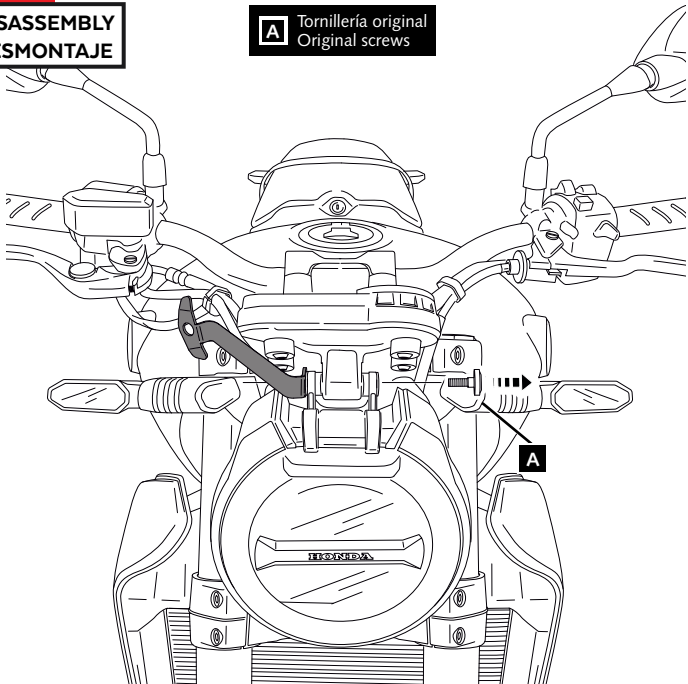
**A** Tornillería original  
Original screws



**3**

**DISASSEMBLY  
DESMONTAJE**

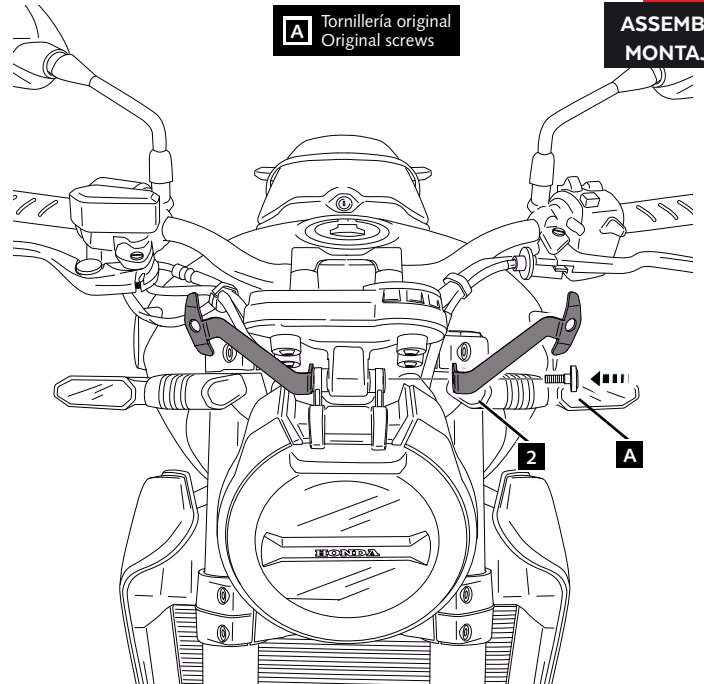
**A** Tornillería original  
Original screws



**4**

**ASSEMBLY  
MONTAJE**

**A** Tornillería original  
Original screws

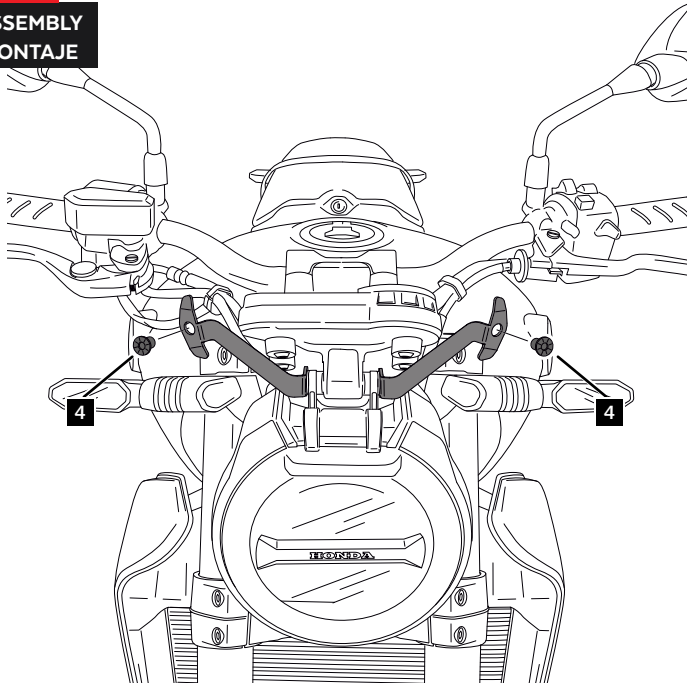


# HONDA CB1000R '18- / CB650R '19-

INSTRUCCIONES DE MONTAJE - MOUNTING INSTRUCTIONS - MONTAGEANLEITUNG

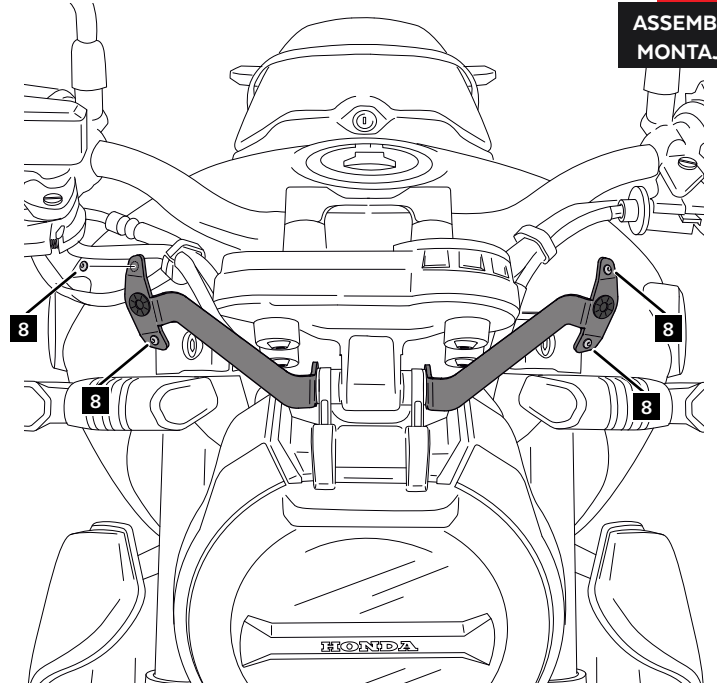
**5**

ASSEMBLY  
MONTAJE



**6**

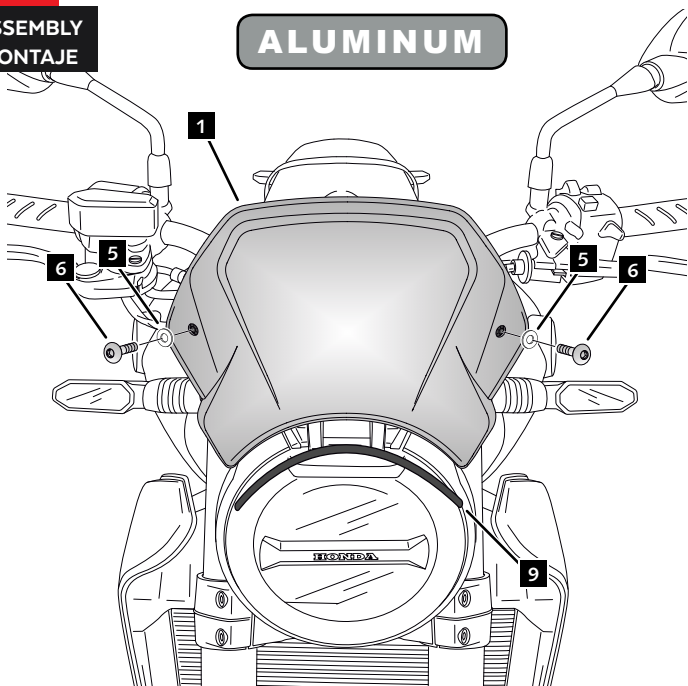
ASSEMBLY  
MONTAJE



**7**

ASSEMBLY  
MONTAJE

**ALUMINUM**



**8**

ASSEMBLY  
MONTAJE

**ABS**

